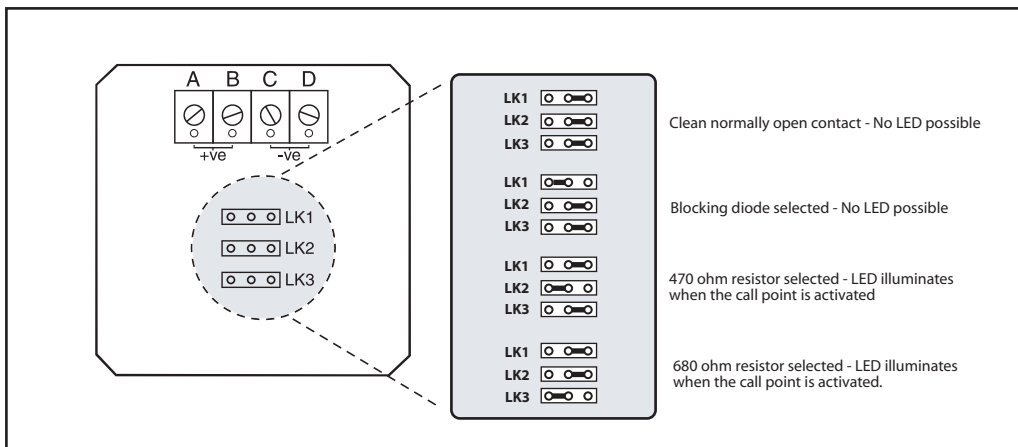
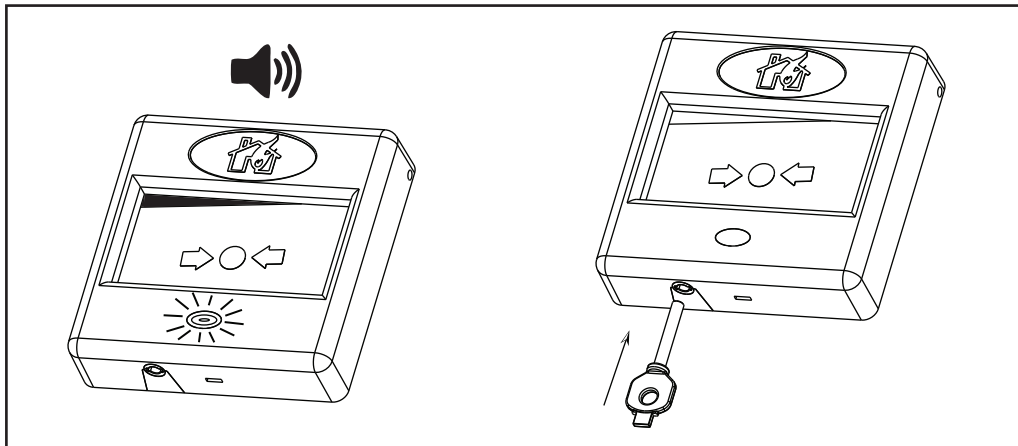
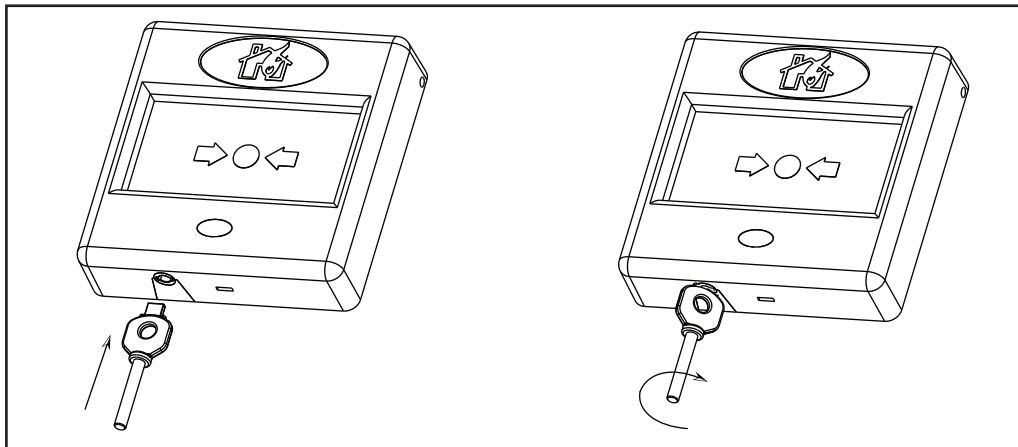
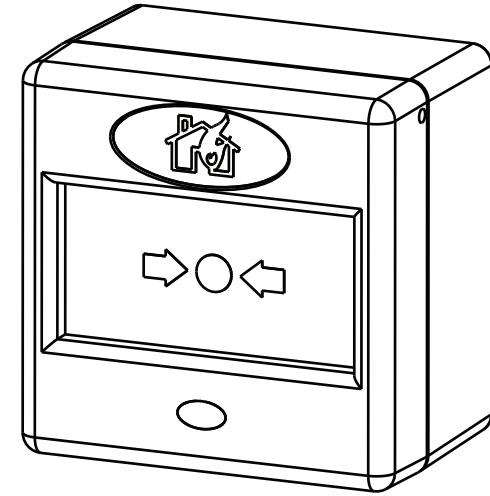




# FP3 Manual Call Point

GB Patent 2404494 : EN54-11

CPD Certified 09: No 09129002/AA/00



## Technical Specifications

EN54-11 Classification	Type A: Direct operation
Operating Element	Non resettable frangible element (Glass) or Resettable frangible element (Plastic)
Switch Type	Single pole.
Operating Voltage	Nominally 12-24 volts D.C
Contact Rating	12A 125/250 VAC
Monitoring Resistor	Selectable, 470Ω or 680Ω 1 watt carbon film
Blocking Diode	Selectable, type IN4001 (50V)
LED Indication	Red LED with current limiting resistor
Terminal Type	2.5mm insertion type, rated 10A/250VAC
Mode Selection	Jumpers
IP Rating	IP44 For indoor use only
Temperature Range	-10C to +55C
Materials	Case ABS, operating element Glass or Polycarbonate

### Environmental Advice.

This product is covered by current WEEE regulations. Please consider the effect on the environment when disposing of it. Do not put in a domestic waste bin. Only dispose of at an appointed recycling centre.



CE0560

